



[I-21/6/2024-W&M Section]

GOVERNMENT OF INDIA/भारत सरकार

MINISTRY OF CONSUMER AFFAIRS, FOOD AND PUBLIC DISTRIBUTION

उपभोक्ता मामले, खाद्य एवं सार्वजनिक वितरण मंत्रालय

DEPARTMENT OF CONSUMER AFFAIRS/ उपभोक्ता मामले विभाग

LEGAL METROLOGY DIVISION/ विधिक मापविज्ञान प्रभाग

Krishi Bhawan/कृषि भवन, नई दिल्ली

Dated/दिनांक:- 09.01.2024

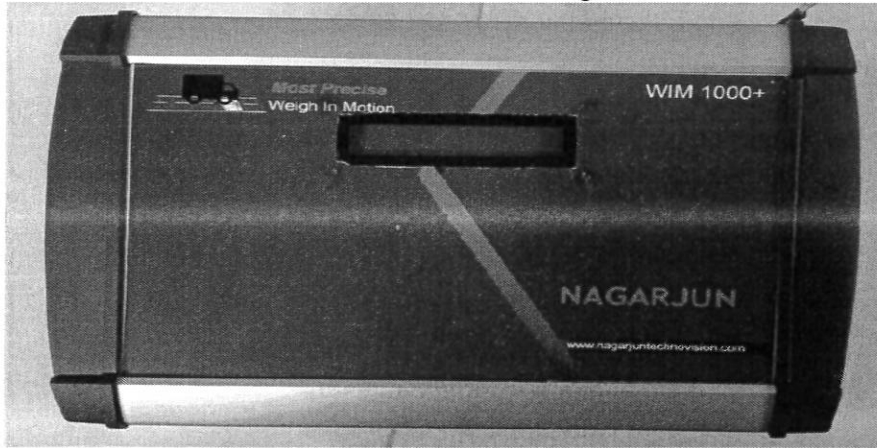
Certificate of Approval of Model/ मॉडल का अनुमोदन प्रमाणपत्र

Whereas the Central Government, after considering the report submitted to it by prescribed authority, is satisfied that the model described in the said report (see the figure given below) is in conformity with the provisions of the Legal Metrology Act, 2009 (1 of 2010) and the Legal Metrology (Approval of Models) Rules, 2011 and the said model is likely to maintain its accuracy over periods of sustained use and to render accurate service under varied conditions;

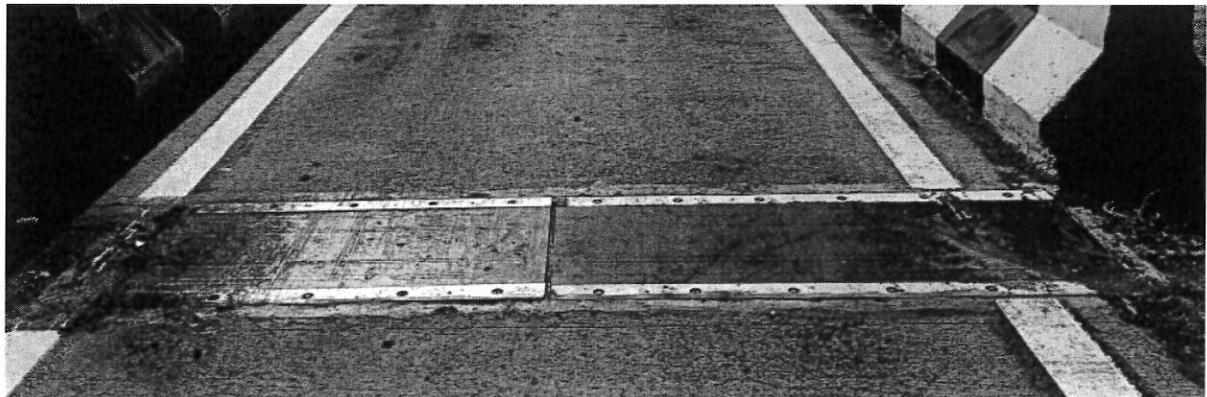
Now, therefore, in exercise of the powers conferred by section 22 of the Legal Metrology Act, 2009 (1 of 2010) read with sub-rule (6) of rule 8 and sub-rule (4) of rule 11 of the Legal Metrology (Approval of Models) Rules, 2011, as per Schedule Seventh of the Legal Metrology (General) Rules, 2011 the Central Government hereby issues the certificate of approval of automatic instrument for weighing road vehicles in motion and measuring axle loads of accuracy class vehicle mass-5, single axle load and group axle load-E of series "WIM 1000+" and with brand name "NAGARJUN TECHNOVISION" (hereafter in referred to as the said model), manufactured by M/s Nagarjun Technovision, 476 Old Avas Vikas Kashipur, Udham Singh Nagar, Uttarakhand-244713 and which is assigned the approval mark IND/09/24/016 (the picture of model is given below as figure 1.);

The said model is strain gauge based automatic instrument for weighing road vehicles in motion and measuring axle loads with a maximum capacity of 20tonne/axle and minimum capacity of 1000kg. The scale interval (d) is 100kg. Its maximum operating speed is 50km/h and minimum operating speed is 1km/h. The liquid crystal display (LCD) indicates the weighing result with OTP provision for calibration. The instrument operates on 230Volts, 50Hertz alternating current power supply.

Figure 1



Max. Capacity = 20 t,  
d = 100kg,  
Min = 1t,  
Accuracy Class =  
5 (for vehicle mass)  
and 'E' for single axle  
and group axle load



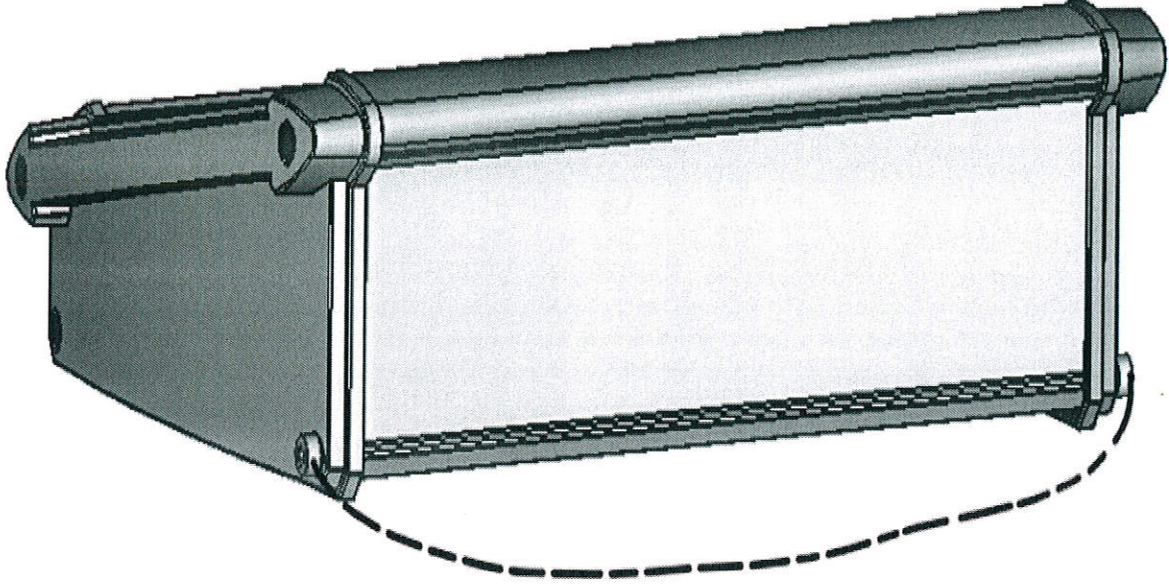


Figure 2

Sealing is done by passing the sealing wire through the holes provided on the body of machine. A lead seal is put at the end of the wire for stamping purpose (a typical schematic diagram of sealing provision to prevent the fraudulent practices of the model is given above as Figure 2). A dip switch has also been provided in mother board/PCB to disable access to external calibration.

Further, in exercise of the power conferred by sub-rule (9) of rule 8 of the Legal Metrology (Approval of Models) Rules, 2011, the Central Government hereby declares that this certificate of approval of the said model shall also cover the weighing instruments of similar make, accuracy and performance of same series with maximum capacity up to 30 tonne/axle and operating speed of 1-60 km/hr manufactured by the same manufacturer in accordance with the same principle, design and with the same materials with which, the said approved model has been manufactured.

[F.No. I-21/6/2024-W&M Section]

*Ashutosh Agarwal*

(Ashutosh Agarwal/अशुतोष अग्रवाल)

I/c Director (Legal Metrology) to Govt. of India/ प्रभारी निदेशक (विधिक माप विज्ञान) भारत सरकार

Phone/दूरभाष 01123389489

Email/ई-मेल: [dirwm-ca@nic.in](mailto:dirwm-ca@nic.in)

Online Application No. 17031